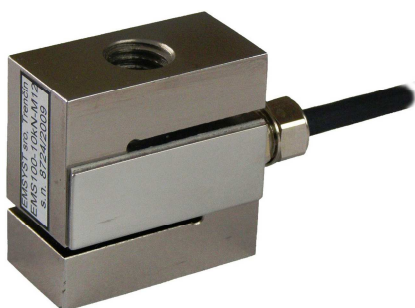
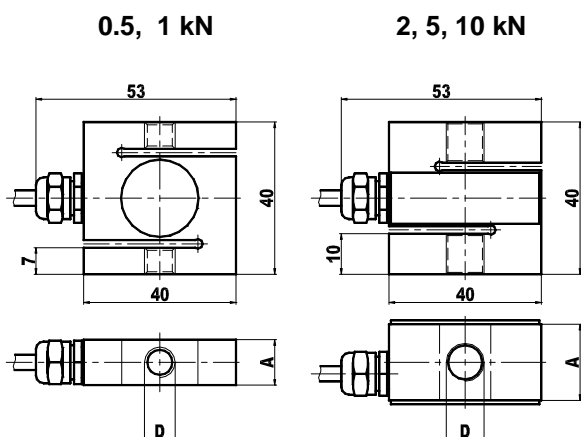


Special features

- For harsh industrial applications
- Strain gauge measuring system
- Tension/Compression
- Small dimensions



Outline Dimensions (mm)



Capacity (kN)	0,5	1	2	5	10
A (mm)	12	18	18	20	20
D	M8	M10	M10	M10	M10

Specifications

Accuracy class	0.2
Rated Capacities	0.5, 1, 2, 5, 10 kN
Safe Overload	150 %F.S.
Ultimate Overload	250 %F.S.
Rated Output	2 mV/V ± 2%
Zero balance	2 % F.S.
Non-linearity	0.1 %F.S.
Hysteresis	0.1 %F.S.
Creep (30 min)	0.05 %F.S.
Temperature Effect	
- On Zero	0.05 %F.S./10 °C
- On Output	0.05 %F.S./10 °C
Input Impedance	380Ω ± 10%
Output Impedance	350Ω ± 5%
Insulation Impedance	> 5000 MΩ
Excitation	
- Recommended	10 V
- Maximum	15 V
Temperature range	
- Compensated	0 ... + 50 °C
- Operating	- 10 ... + 70 °C
Protection	IP65
Construction	Steel
Cable	LiYCY 4x0.14, 2 m

Wiring diagram

