

Special features

- Canister design for applications with minimum space and high capacity load up to 800 kN
- Axial compression load
- Heavy duty construction for industrial applications
- Full strain gauge bridge



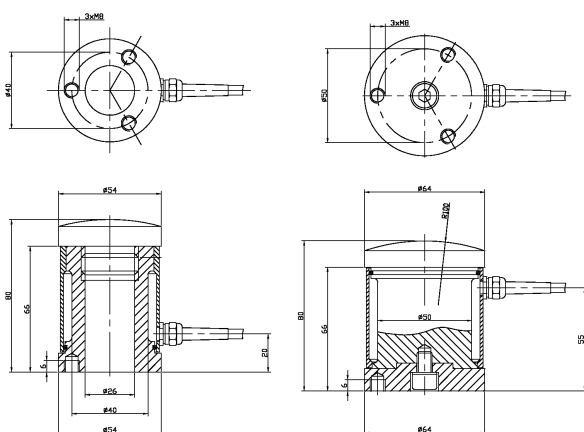
Specifications

Accuracy class	1.0
Rated Capacities kN	300, 800
Safe Overload	130 %F.S.
Ultimate Overload	150 %F.S.
Rated Output	2 mV/V \pm 2%
Zero balance	2 % F.S.
Non-linearity, %F.S.	0.5
Hysteresis, %F.S.	0.5
Creep (30 min)	0.1 %F.S.
Temperature Effect	
- On Zero	0.1 %F.S./10 °C
- On Output	0.1 %F.S./10 °C
Input Impedance	380 Ω \pm 10%
Output Impedance	350 Ω \pm 5%
Insulation Impedance	> 5000 M Ω
Excitation	
- Recommended	10 V
- Maximum	15 V
Temperature range	
- Compensated	0 ... + 50 °C
- Operating	- 10 ... + 70 °C
Protection	IP54
Construction	Steel
Cable	LiYCY 4x0.14, 2 m

Outline Dimensions (mm)

300 kN

800 kN



Wiring diagram

