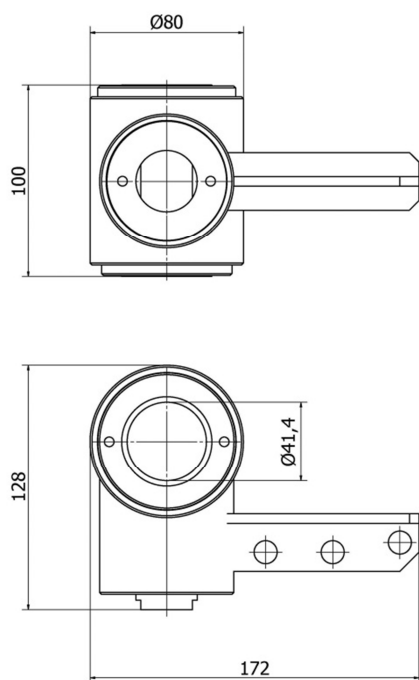


Special features

- Heavy duty design for application in oil industry
- Corrosion resistant
- Axial compression load
- Dual strain gauge bridge
- Installs on polished rod



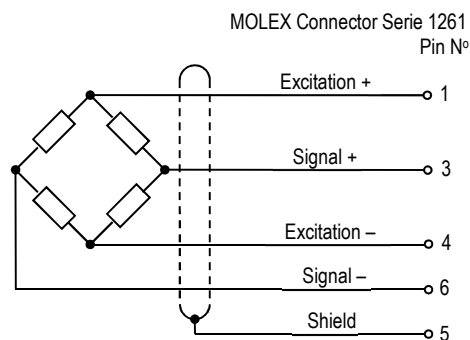
Outline Dimensions (mm)



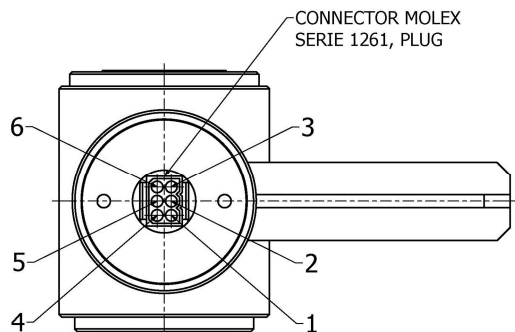
Specifications

Accuracy class	0.5
Rated Capacity kN	133.4
Safe Overload	130 %F.S.
Ultimate Overload	150 %F.S.
Rated Output	2 mV/V ± 2%
Zero balance	1 % F.S.
Non-linearity, %F.S.	0.25
Hysteresis, %F.S.	0.25
Creep (30 min)	0.1 %F.S.
Temperature Effect	
- On Zero	0.01 %F.S./°C
- On Output	0.01 %F.S./°C
Input Impedance	725Ω ± 20Ω
Output Impedance	700Ω ± 10Ω
Insulation Impedance	> 5000 MΩ
Excitation	
- Recommended	10 V
- Maximum	15 V
Temperature range	
- Compensated	- 40 ... + 60 °C
- Operating	- 50 ... + 80 °C
Protection	IP65
Construction	Stainless Steel

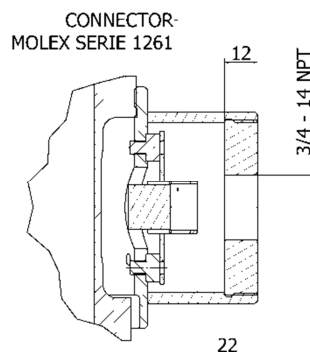
Wiring diagram



Pin position

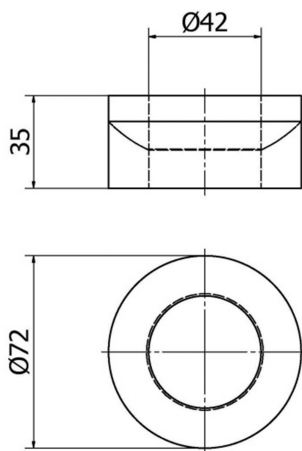


Connector position



Mounting accessories

Spherical washers KL 121



Installation

