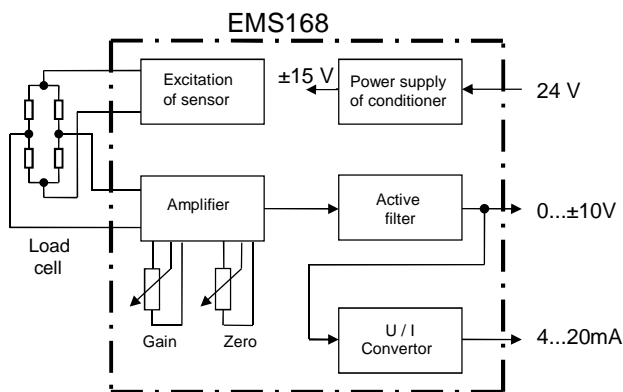


### Special features

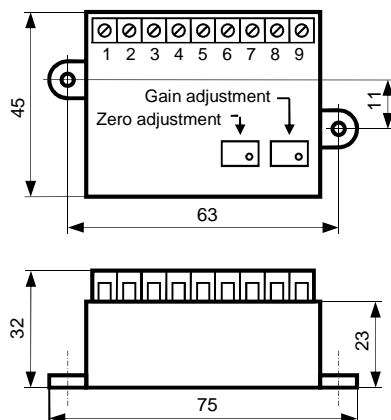
- Voltage excitation of sensor
- 4 wire sensor connection
- Adjustment via two potentiometers
- Plastic enclosure for mounting on DIN rails or through two screws



### Block diagram



### Outline Dimensions (mm)



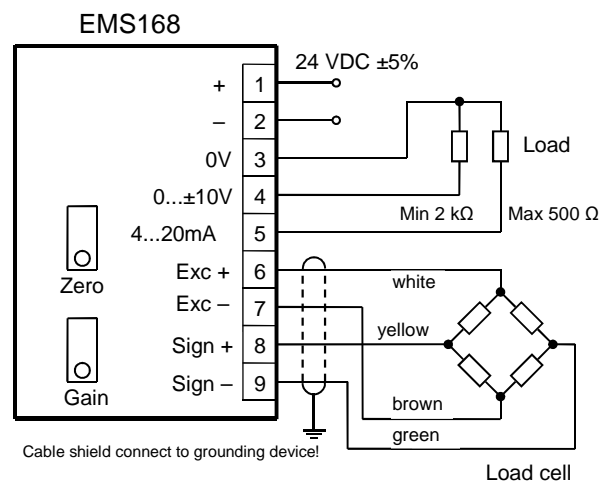
### Specifications

Accuracy class	0,2
Span adjustment	1,0 1,5 2,0 mV/V *
Zero adjustment	0 ... ±2,5 V
Excitation	
- Voltage excitation	5 or 10 VDC *
- Sensor min. impedance	300 Ω
Amplifier	
- Input offset voltage drift	1 uV / °C
- Thermal sensitivity drift	100 ppm / °C
- Non-linearity	0,05 % FS
Active filter, 2nd order	
- frequency range	20 Hz **
Output voltage	
- Range	0 ... ± 10 V **
- Min. load impedance	2 kΩ
Output current	
- Range	4...20 mA
- min. load impedance	100 Ω
- max. load impedance	500 Ω
Power supply	
- Range	20 ... 26 VDC
- Max. current consumption	60 mA
Temperature range	
- Operating	- 10 ... + 50 °C
- Storage	- 40 ... + 85 °C

\* The value specify when ordering

\*\* The value can be changed by agreement with the manufacturer

### Wiring diagram



Colors of wires are only for sensors EMSYST!