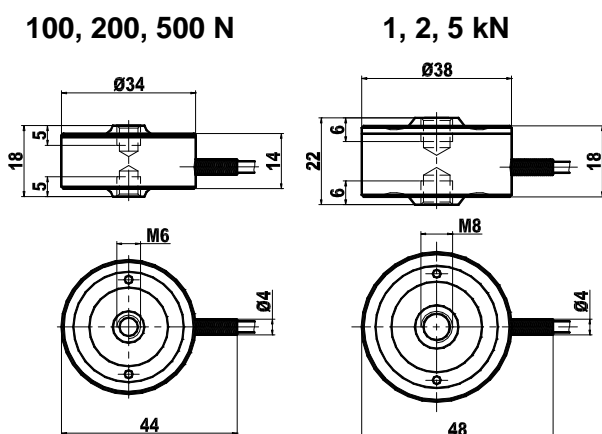


### Special features

- For general purpose
- Strain gauge measuring system
- Tension/Compression
- Small dimensions



### Outline Dimensions (mm)



### Specifications

Accuracy class	0.5	
Rated Capacities	100, 200, 500 N	1, 2, 5 kN
Safe Overload	150 %F.S.	
Ultimate Overload	200 %F.S.	
Rated Output ( $\pm 2\%$ )	1.0 mV/V	1.5 mV/V
Zero balance	2 % F.S.	
Non-linearity	0.25 %F.S.	
Hysteresis	0.25 %F.S.	
Creep (30 min)	0.1 %F.S.	
Temperature Effect		
- On Zero	0.1 %F.S./10 °C	
- On Output	0.1 %F.S./10 °C	
Input Impedance	395 $\Omega$ $\pm 10\%$	380 $\Omega$ $\pm 10\%$
Output Impedance	350 $\Omega \pm 5\%$	
Insulation Impedance	> 5000 M $\Omega$	
Excitation		
- Recommended	5 V	10 V
- Maximum	7 V	15 V
Temperature range		
- Compensated	0 ... + 50 °C	
- Operating	- 10 ... + 70 °C	
Protection	IP54	
Deflection at max load	0.1 mm	
Construction	Aluminium	Steel
Cable	LifYDY 4 x 0.05, 2 m	

### Wiring diagram

