

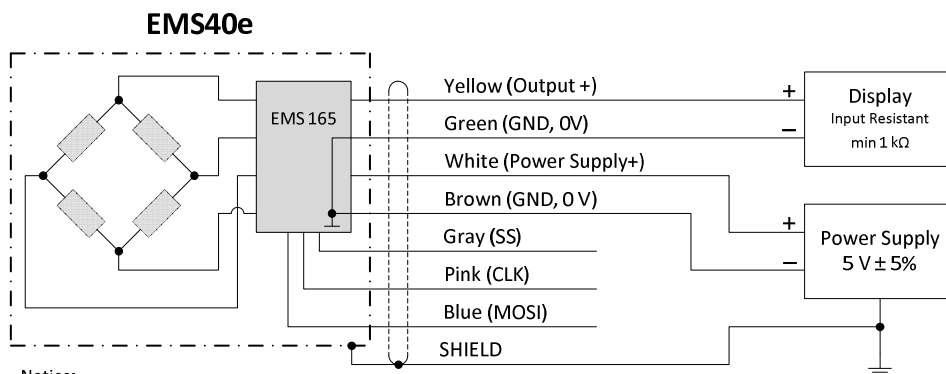
| Rated Capacities kN | D mm | D1 mm | L mm | L1 mm | L2 mm | M mm | SW mm | DS mm |
|---------------------|------|-------|------|-------|-------|------|-------|-------|
| 1                   | 38   | 6x4,2 | 11   | 22    | 46    | M8   | Φ 4   | 30    |
| 2                   | 38   | 6x4,2 | 11   | 22    | 46    | M8   | Φ 4   | 30    |
| 5                   | 38   | 6x4,2 | 11   | 22    | 46    | M8   | Φ 4   | 30    |
| 10                  | 50   | 6x5,2 | 14   | 29    | 58    | M10  | 8     | 38    |
| 20                  | 56   | 6x6,3 | 16   | 34    | 64    | M14  | 8     | 42    |
| 50                  | 68   | 6x8,4 | 19   | 42    | 76    | M20  | 8     | 50    |

- Strain gauge measuring system
- Tension/Compression
- Built-in amplifier EMS165

### Specifications

|                                |                        |
|--------------------------------|------------------------|
| Accuracy class                 | 0,5                    |
| Rated Capacities (F.S.)        | 1, 2, 5, 10, 20, 50 kN |
| Safe Overload                  | 150% F.S.              |
| Ultimate Overload              | 200% F.S.              |
| Recommended Capacity           |                        |
| - Permanent Load               | 75 % F.S.              |
| - Dynamic Load                 | 50 % F.S.              |
| Rated Output                   |                        |
| - Standard                     | 0,5 ... 4,5 V          |
| - Reduced                      | 0,4 ... 4,0 V          |
| - Tension and Compression Load | 0,5 ... 2,5 ... 4,5 V  |
| Zero Balance                   | 2                      |
| Non-linearity                  | 0,25                   |
| Hysteresis                     | 0,25                   |
| Creep (30 min)                 | 0,1                    |
| Temperature Effect             |                        |
| - On Zero                      | 0,15 %F.S./10 °C       |
| - On Output                    | 0,15 %F.S./10 °C       |
| Power Supply                   | 5 V ± 5%               |
| Current Consumption, max       | 30 mA                  |
| Temperature Range              | 0 ... + 50 °C          |
| Protection                     | IP54                   |
| Deflection at max Load         | 0,1 mm                 |
| Material of Body               | nehrdzavejúca oceľ     |
| Cable                          |                        |
| - Type                         | LifYDY 7 x 0,05        |
| - Length                       | 2 m                    |

### Wiring diagram



Notice:  
 - Do not connect SS, CLK and MOSI  
 - Connect SHIELD to earth or to the housing of device