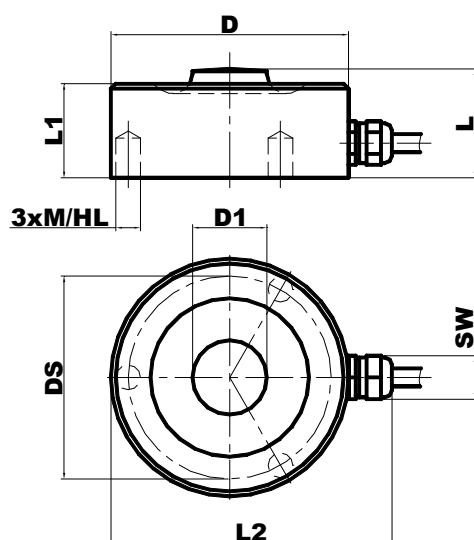


### Special features

- For general purpose
- Strain gauge measuring system
- Compression
- Low profile



### Outline Dimensions (mm)



Capacity kN	D mm	D1 mm	L mm	L1 mm	L2 mm	SW	DS mm	M/HL
0.1	32	7	11	10	40	Φ4	28	M3/5
0.2	32	7	11	10	40	Φ4	28	M3/5
0.5	32	7	11	10	40	Φ4	28	M3/5
1	32	7	11	10	40	Φ4	28	M3/5
2	32	7	11	10	40	Φ4	28	M3/5
5	32	7	11	10	40	Φ4	28	M3/5
10	36	8	16	15	44	8	32	M3/5
20	40	10	19	17	50	8	35	M4/6
50	48	15	22	19	58	8	41	M5/8
100	60	20	26	22	70	11	50	M6/10
200	74	28	31	26	84	11	61	M8/12
500	110	44	42	36	120	11	87	M10/16

### Specifications

Accuracy class	0.5			
Rated Capacities kN	0.1	1	10	100
	0.2	2	20	200
	0.5	5	50	500
Safe Overload	150 %F.S.			
Ultimate Overload	200 %F.S.			
Rated Output, mV/V ± 2%	1.0	1.5		
Zero balance	2 % F.S.			
Non-linearity, %F.S.	0.25		0.5	
	Hysteresis, %F.S.		0.5	
Creep (30 min)	0.1 %F.S.			
Temperature Effect	- On Zero			
	- On Output			
		0.1 %F.S./10 °C		
		0.1 %F.S./10 °C		
Input Impedance	380Ω ± 10%			
Output Impedance	350Ω ± 5%			
Insulation Impedance	> 5000 MΩ			
Excitation	- Recommended		5 V	
	- Maximum		7 V	
			10 V	
		15 V		
Temperature range	- Compensated			
	- Operating			
	0 ... + 50 °C			
				- 10 ... + 70 °C
Protection	IP54			
Construction	Aluminium		Steel	
Cable	LiYDY 4x0.05, 2 m			LiYCY 4x0.14, 2 m

### Wiring diagram

